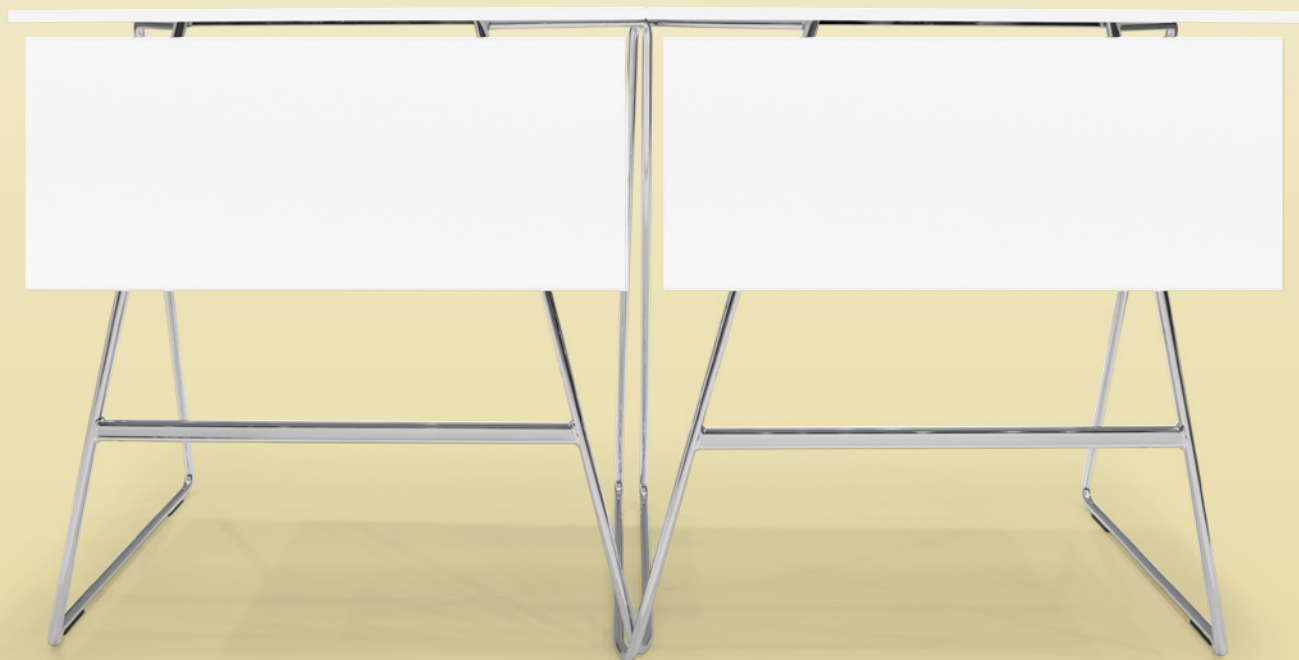


CLASS

DESIGN CASALA DESIGN TEAM



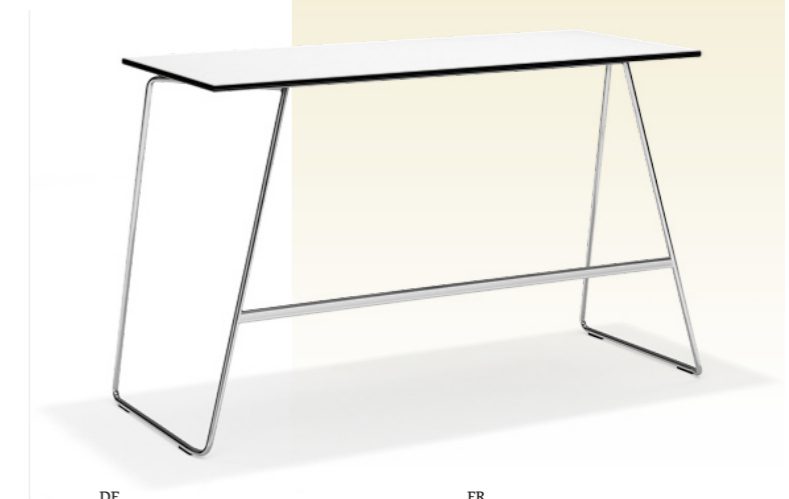
casala®

CLASS

The successful stacking and linking philosophy that Casala has integrated in its Lynx and Monolink chair forms the basis of Class. A seminar table with a slender frame which also has an integrated linking system in its design. Class is available in a single and double user version and is perfectly suitable for educational purposes.

DESIGN LINKED TO FUNCTIONALITY

Casala specialises in the production of stylish contract furniture that excels in both design and functionality. "Design linked to Functionality" is deeply rooted within the DNA of our organisation and plays a major role in the design process. We work together with leading designers in our industry. A hundred years of experience in the furniture industry guarantees that Casala furniture also offers a lot of comfort and ease of use in addition to high quality.



NL

De succesvolle stapel- en koppelfilosofie van Casala's Lynx stoel vormen de basis van een nieuw product: Class. Een congres tafel met een slank frame, waarbij het koppelsysteem ook in het ontwerp is geïntegreerd. Class is verkrijgbaar in een enkele en dubbele gebruikersversie en is geschikt voor educatieve doeleinden als schooltafel en examentafel, alsmede voor presentatie- en congreszalen.

DE

Das erfolgreiche Stapel- und Verbindungssystem, mit dem bereits Casala Lynx ausgestattet sind, bildet nun die Grundlage für ein neues Produkt: Class. Ein Seminartisch mit schmalen Rahmen und integriertem Verbindungssystem. Als Ein- und Zweisitzer erhältlich ist Class für Bildungseinrichtungen sowie Präsentations- und Seminarräume perfekt geeignet.

FR

La philosophie à succès d'empilage et d'assemblage que Casala a intégré à Lynx forme désormais la base d'un nouveau produit : Class. Une table de formation au cadre élancé qui possède également un système d'assemblage intégré à son design. Class est disponible en version simple ou double et est parfaitement adaptée aux milieux scolaires, aux salles de formation et de séminaires.



CASALA CLASS TABLE

CASALA CLASS TABLE

Class table & Cobra chair / Hoogstraat, Utrecht - NL

EDUCATION

Casala is an expert in furniture in the education sector. We provide educational institutions with smart and functional furniture solutions for various purposes.

CLASS



STACKABLE UP TO 5 PIECES (STAND ALONE),
ON A TRANSPORT DOLLY UP TO 10 PIECES.

CASALA CLASS TABLE

CASALA CLASS TABLE

NL
Casala is expert op het gebied van inrichtingen voor de educatieve sector. Wij verzorgen de inrichting van diverse onderwijsinstellingen met slimme functionele oplossingen voor uiteenlopende onderwijsdoeleinden.

DE
Casala ist ein Experte auf dem Gebiet von Einrichtungen im Bildungs Sektor. Wir kümmern uns um die Gestaltung verschiedener Bildungseinrichtungen mit intelligenten Lösungen für verschiedenste pädagogische Zwecke.

FR
Casala est expert en aménagements dans le secteur éducatif. Nous fournissons différents établissements d'enseignement avec des solutions fonctionnelles intelligentes répondant aux objectifs pédagogiques les plus divers.



CASALA CLASS TABLE

CASALA CLASS TABLE

PRODUCT
1-CELLO, 2-CLASS, 3-CARVER

ACTIVE PARTICIPATION OR PASSIVE LISTENING. COMFORTABLE SOLUTIONS FOR OPTIMAL RESULTS. ADJUSTABLE TO YOUR NEEDS.

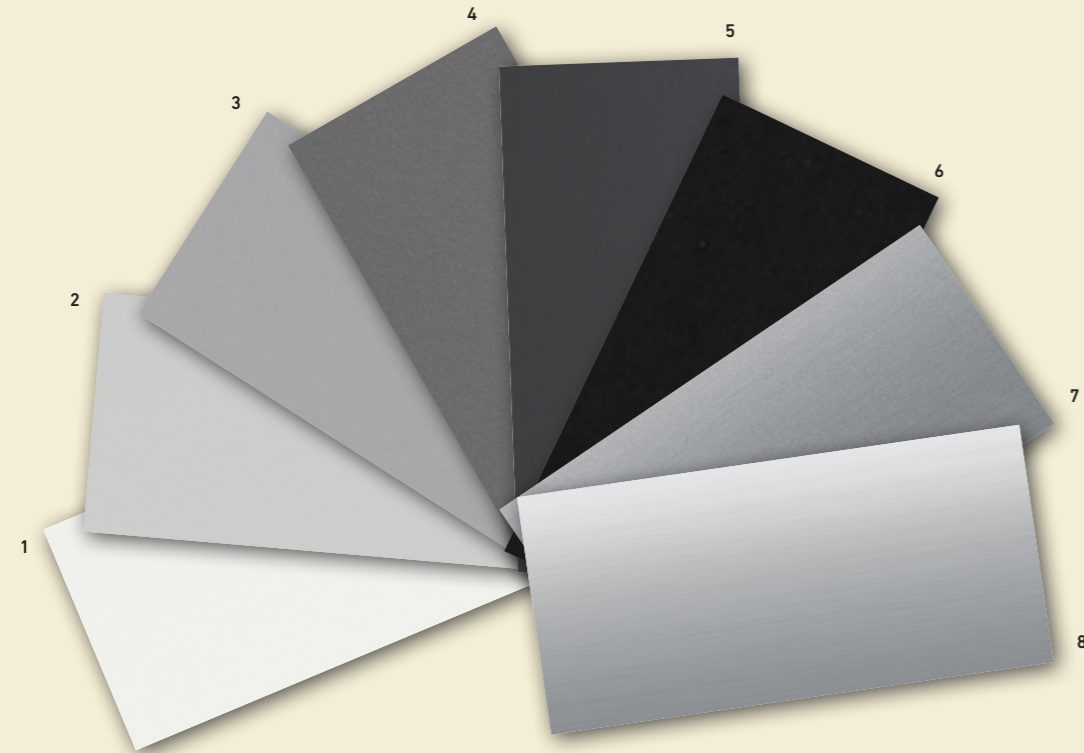
CASALA CLASS TABLE



CASALA CLASS TABLE

PRODUCTS
1-CLASS, 2-CALIBER, 3-CALIBER,
4-TEMO FLIPTOP, 5-COBRA

powder coatings



- 1 Traffic white SG16
- 2 Light grey SG11
- 3 Aluminium Grey SG12
- 4 Tenor grey SG17
- 5 Traffic grey SG20
- 6 Black SG15
- 7 Mat Chrome
- 8 Chrome

table tops & edges

Edge B

Core: 12 mm SCL
Finish: standard white
Edge: SCL edge round shaped (black)

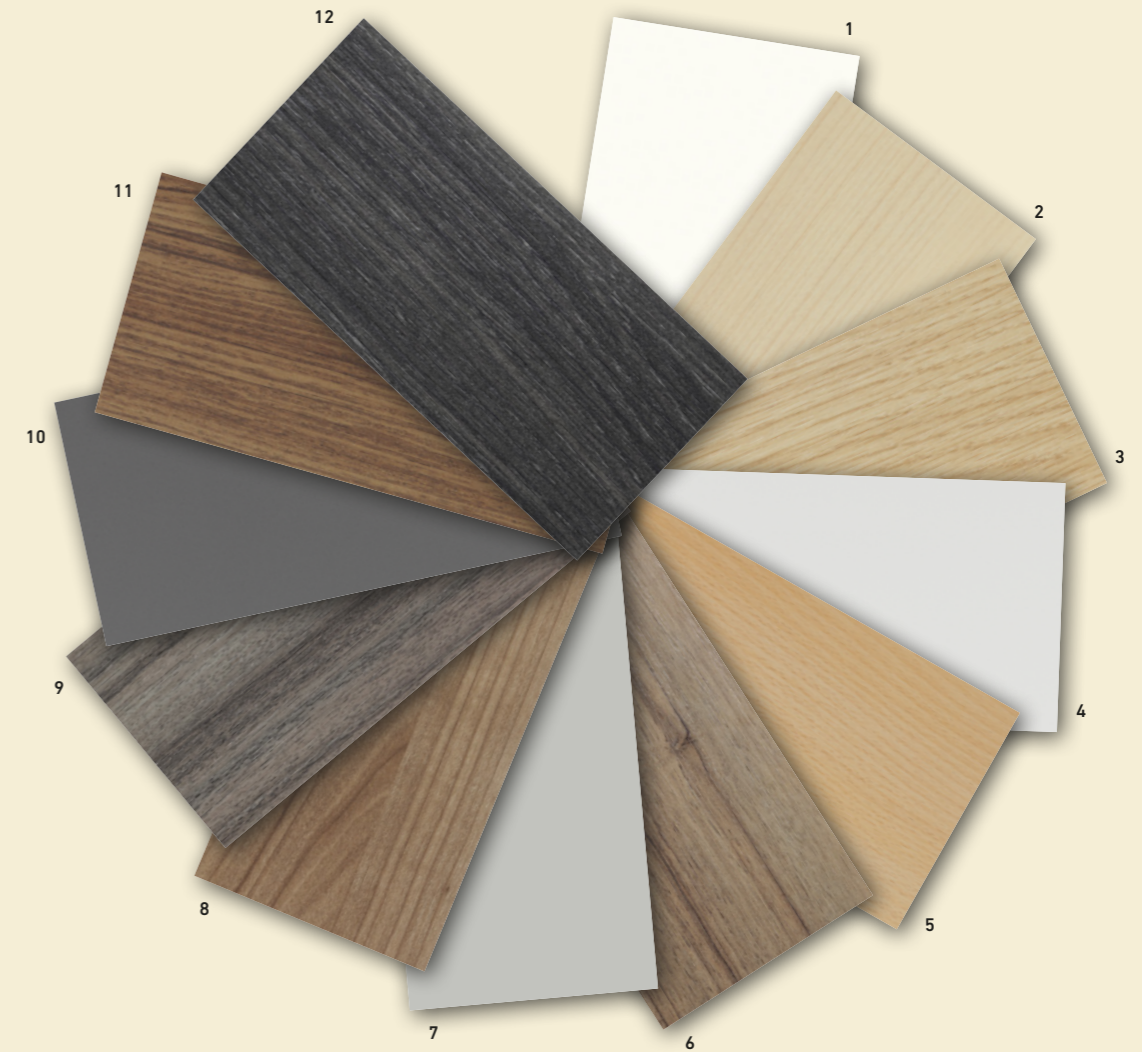
Edge C

Core: 12 mm chipboard
Finish: 0,9 mm HPL in standard colours
Edge: 2 mm ABS in standard colours or plywood look

Edge B

Tabletop: 18 mm plywood
Finish: 0,9 mm HPL in standard colours
Edge: Plywood edge straight

finishes



All table-tops are available in HPL & Melamine and do have a matching stain, excluding Lindberg oak and Madison Walnut.

- | | | | |
|---|--|--|---|
| <p>1 White U1026*
Structure: VV
Brand: Pfeiderer
Reflection value: 0,82
Matching Laser edge</p> <p>2 Light maple F04/054
Structure: VV
Brand: Pfeiderer
Reflection value: 0,61
Matching Laser edge</p> <p>3 Lindberg oak R4223**
Structure: MO
Brand: Pfeiderer
Reflection value: 0,45
Matching Laser edge Pearl</p> | <p>4 Grey U035
Structure: VV
Brand: Pfeiderer
Reflection value: 0,73
Matching Laser edge</p> <p>5 White beech R5320
Structure: VV
Brand: Pfeiderer
Reflection value: 0,42
Matching Laser edge</p> <p>6 Madison walnut R4816**
Structure: MO
Brand: Pfeiderer
Reflection value: 0,23
Matching Laser edge</p> | <p>7 Light grey U1188
Structure: VV
Brand: Pfeiderer
Reflection value: 0,58
Matching Laser edge</p> <p>8 Havana cherry R5681
Structure: VV
Brand: Pfeiderer
Reflection value: 0,30
Matching Laser edge</p> <p>9 Milano walnut R4896
Structure: MO
Brand: Pfeiderer
Reflection value: 0,16
Matching Laser edge</p> | <p>10 Anthracite U1290
Structure: VV
Brand: Pfeiderer
Reflection value: 0,16
Matching Laser edge</p> <p>11 Standard walnut R4801
Structure: VV
Brand: Pfeiderer
Reflection value: 0,48
Matching Laser edge</p> <p>12 Dark mountain oak R4371
Structure: MO
Brand: Pfeiderer
Reflection value: 0,10
Matching Laser edge</p> |
|---|--|--|---|

*Also available in SCL
**No matching stain available.

PRODUCT INFORMATION & FEATURES

CLASS



6450/012



table top 70x50
frame weight 73

6450/13



table top 80x60
frame weight 83

6450/21



table top 120x50
frame weight 123

6450/22



table top 140x60
frame weight 143

EN
specifications

Frame tube Ø 14 x 2 mm / Stackability 10 pieces on a transportdolly, 5 pieces stand alone / Height +/- 75 cm (including table top)

NL
specificaties

Onderstel Buis Ø 14 x 2 mm / Stapelbaarheid 10 stuks op transportwagen, 5 stuks vrijstaand / Hoogte +/- 75 cm (inclusief tafelblad)

DE
spezifikationen

Gestell Rohr Ø 14 x 2 mm / Stapelbar 10 Stück auf Transportwagen, 5 Stück freistehend / Höhe +/- 75 cm (inklusive Tischplatte)

FR
caractéristiques techniques

Châssis tube Ø 14 x 2 mm / Empilable par 10 sur chariot de transport, par 5 sans chariot Dispositif empilabilité butées en feutrine / Hauteur +/- 75 cm (y compris plateau)

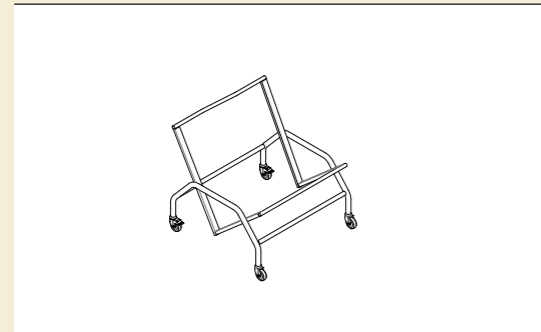
modesty panel



70 x 32
80 x 32
120 x 32
140 x 32

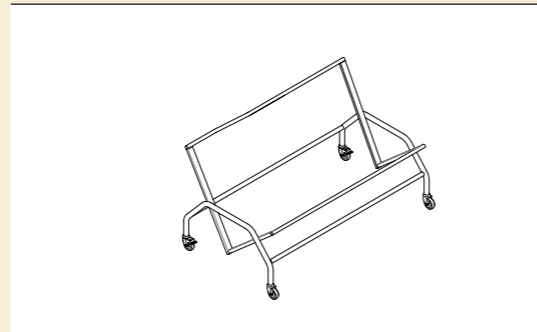


class single trolley



Max. 10 pieces
length 78 cm
width 82-92 cm

class double trolley



Max. 10 pieces
length 78 cm
width 132-152 cm

CASALA 03/2019 V1

SHOWROOMS

Casala Meubelen Nederland bv
Rolweg 10
4104 AV Culemborg
The Netherlands
+31 (0)345 51 73 88
info@casala.com

Palau
Cruquiusweg 111m
1019 AG Amsterdam
The Netherlands
+31 (0)20 463 39 80
info@palau.nl

Casala Objektmöbel GmbH
Magirusstraße 16
31867 Lauenau
Germany
+49 (0)5043 71 0
casala@casala.com

Casala Ltd
2 Sycamore Street
Clerkenwell, EC1Y 0SF
London
United Kingdom
+44 (0)20 3958 0058
sales@casala.com

Casala S.à.r.l.
54 rue du 19 Janvier
92380 Garches
France
+33 (0)1 47 10 02 22
contact@casala.com

www.casala.com

© Photography
Chris van Koeverden: 4

© Casala Meubelen Nederland B.V.
All copyrights and intellectual property rights in this publication are the property of Casala. No part of this item may be reproduced without the prior written permission of Casala. We respect the rights of third parties. If material has been produced without recognition, please inform us at marketing@casala.com.

The colours in this publication may differ to the original product. We recommend requesting a product sample. Sample service and further information:

www.casala.com/samples

casala®

